

Connecting parts with nominal width DN 8

Valves, coupling valves, protection caps, fittings, adapters and connections for analytic instruments

WIKA data sheet SP 61.13

Applications

- Handling of SF₆ gas tanks
- For indoor and outdoor equipment

Special features

- The valves can be isolated or coupled under pressure or vacuum
- Vacuum and pressure-tight (-1 ... +64 bar)
- Working temperature -40 ... +80 °C
- Leak rate $\leq 1 \cdot 10^{-8}$ mbar · l/s
- Tested helium tightness of 100 %



Connecting parts with nominal width DN 8

Description

Safe and simple operation

WIKA's connecting parts enable the secure storage and handling of environmentally hazardous SF₆ greenhouse gas in the equipment provided for this. The connecting parts have been precisely and specifically optimised for this application.

The ease of mounting and removal, as well as being 100 % tested for leak tightness, make these connecting parts safe and reliable interfaces for the filling and maintenance of the equipment.

Highest quality

In order to meet the high demands for quality, the robust design has passed extensive testing with actuation tests, tests in atmospheric conditions and shock tests. The connecting parts are manufactured from high-quality aluminium, brass and stainless steel. On request, the connecting parts can be supplied with a material certificate.

Comprehensive product range

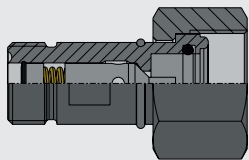
The product range for connecting parts with nominal width DN 8 consists of self-closing valves, matching couplings and soldered and weld-in connections. For the connection of DN 8 to other nominal widths and connections, the appropriate adapters and components are available. A protection cap offers mechanical protection and additional sealing.

By using WIKA's connecting parts, the maintenance-free and reliable separation of SF₆ gas compartments from the environment is made possible. In this way, not only is the escape of SF₆ gas prevented, but also the ingress of moisture.

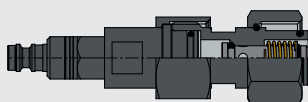
Valve, model GCV-08

Attachment parts, left (M26 x 1.5)

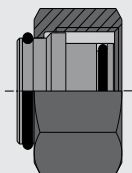
Coupling valve, model GCC-08
see page 7



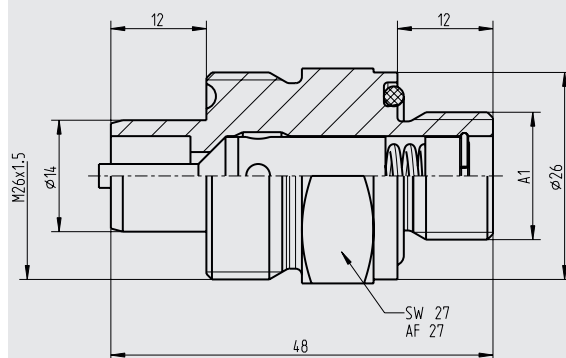
Connection for analytic instruments, model GCG-08
see page 8



Protection cap, model GCP-08
see page 12



Dimensions in mm



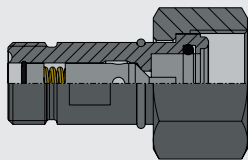
Thread A1	Material	Order no.
M16 x 1.5	Aluminium	13363396
M16 x 1.5	Brass	13376544
M16 x 1.5	Stainless steel	14045781
G 3/8	Aluminium	13363515
G 3/8	Brass	13363493
G 3/8	Stainless steel	13363507

The O-ring is included.
Spare part: O-ring D17
Order no.: 11332131

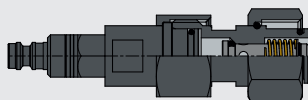
Valve, model GCV-08

Attachment parts, left (M26 x 1.5)

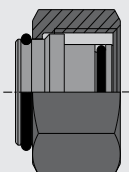
Coupling valve, model GCC-08
see page 7



Connection for analytic instruments, model GCG-08
see page 8

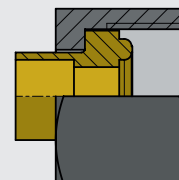


Protection cap, model GCP-08
see page 12

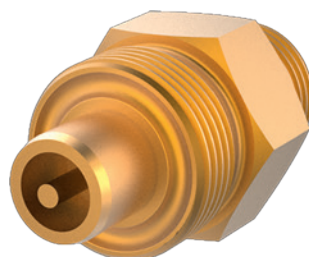
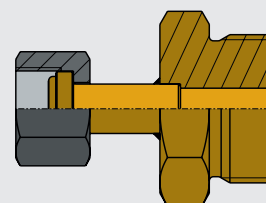


Attachment parts, right (M20 x 1.5)

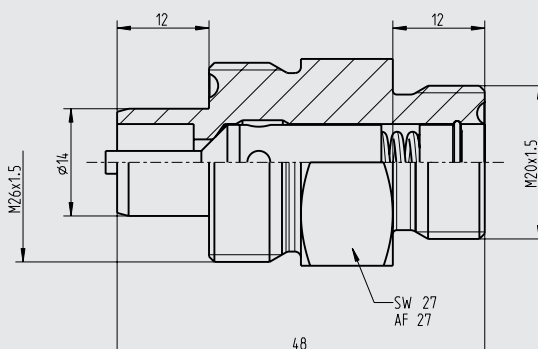
Fitting, model GCF-08
from page 11



Adapter, model GCA-08
from page 9



Dimensions in mm

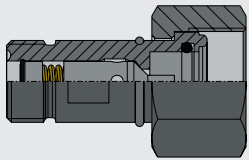


Material	Order no.
Brass	13376561
Stainless steel	14067240

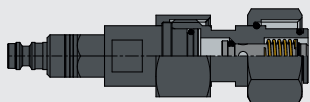
Valve, model GCV-08

Attachment parts, left (M26 x 1.5)

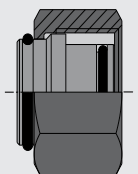
Coupling valve, model GCC-08
see page 7



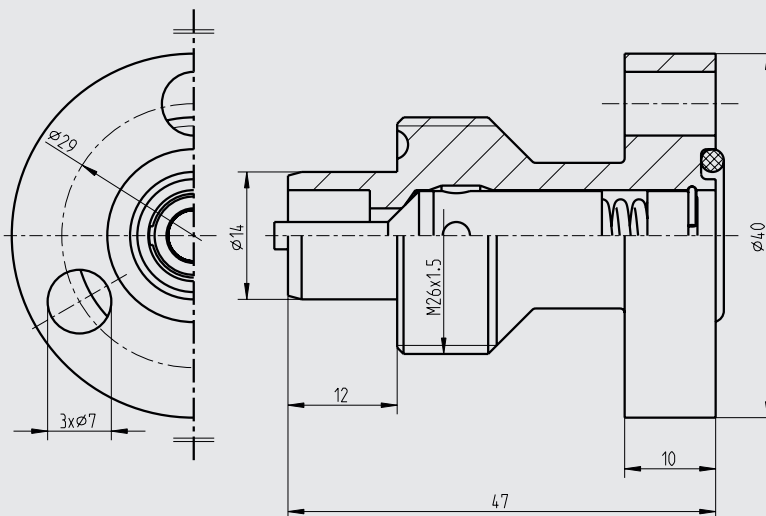
Connection for analytic instruments, model GCG-08
see page 9



Protection cap, model GCP-08
see page 12



Dimensions in mm



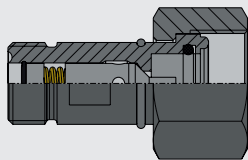
Material	Order no.
Aluminium	13365771
Stainless steel	13449789

The O-ring is included.
Spare part: O-ring D14
Order no.: 11493624

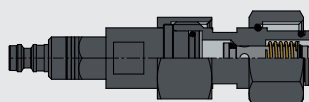
Valve, model GCV-08

Attachment parts, left (M26 x 1.5)

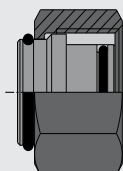
Coupling valve, model GCC-08
see page 7



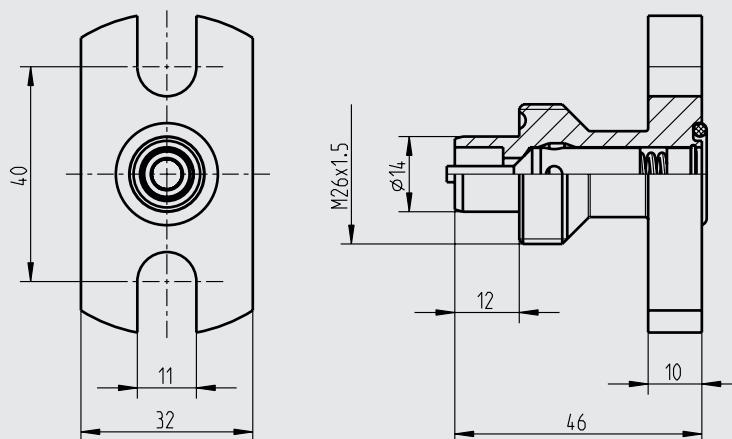
Connection for analytic instruments, model GCG-08
see page 9



Protection cap, model GCP-08
see page 12



Dimensions in mm



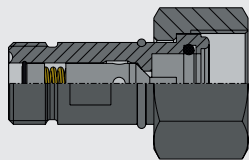
Material	Order no.
Aluminium	13365755

The O-ring is included.
Spare part: O-ring D14
Order no.: 11493624

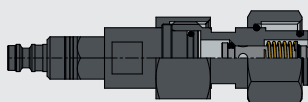
Valve, model GCV-08

Attachment parts, left (M26 x 1.5)

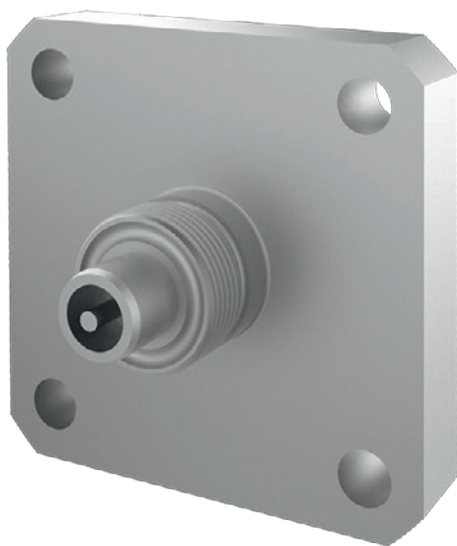
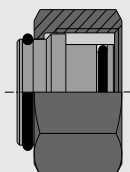
Coupling valve, model GCC-08
see page 7



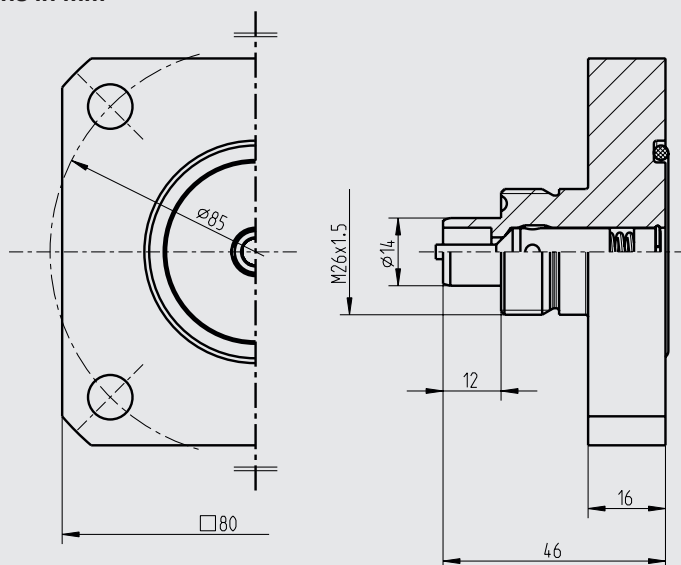
Connection for analytic instruments, model GCG-08, see page 8



Protection cap, model GCP-08
see page 12



Dimensions in mm



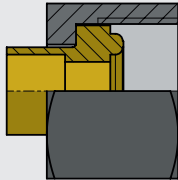
Material	Order no.
Aluminium	13365780

The O-ring is included.
Spare part: O-ring D36
Order no.: 14097132

Coupling valve, model GCC-08

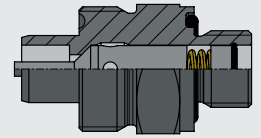
Attachment parts, left (M26 x 1.5)

Fitting, model GCF-08
from page 11

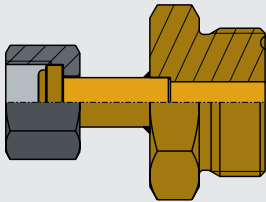


Attachment parts, right (M26 x 1.5)

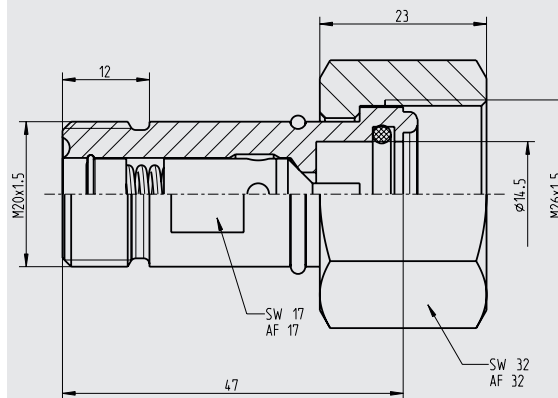
Valve, model GCV-08
from page 2



Adapter, model GCA-08
from page 9



Dimensions in mm



Material	Order no.
Aluminium	13376587
Stainless steel	13363680

The O-ring is included.
Spare part: O-ring D14
Order no.: 11493624

Connection for analytic instruments, model GCG-08

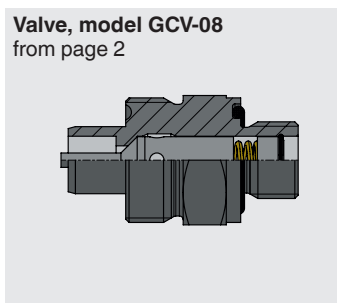
Attachment parts, left

Quick couplings

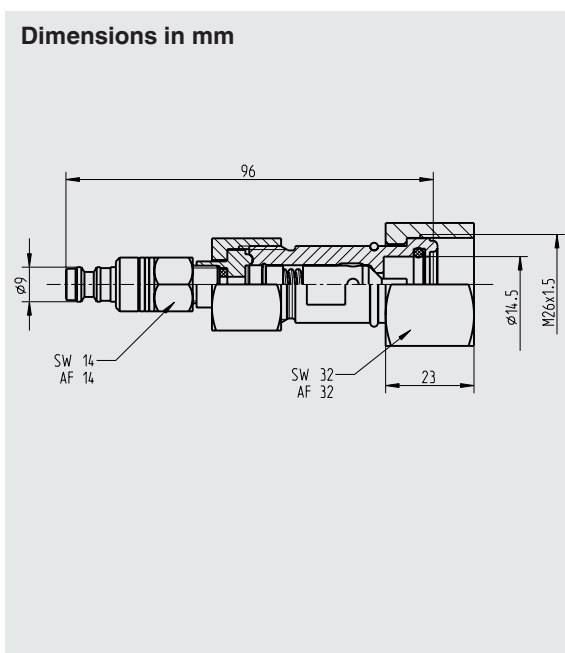


Attachment parts, right (M26 x 1.5)

Valve, model GCV-08 from page 2



Dimensions in mm



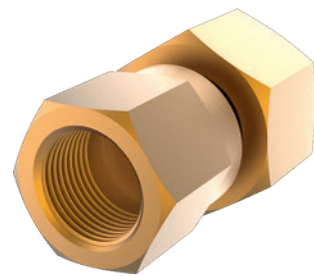
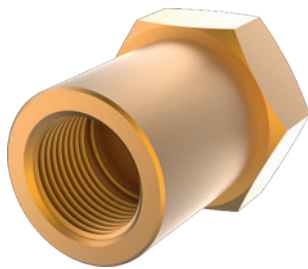
Material	Order no.
Stainless steel	14017515

The O-ring is included.
Spare part: O-ring D14
Order no.: 11493624

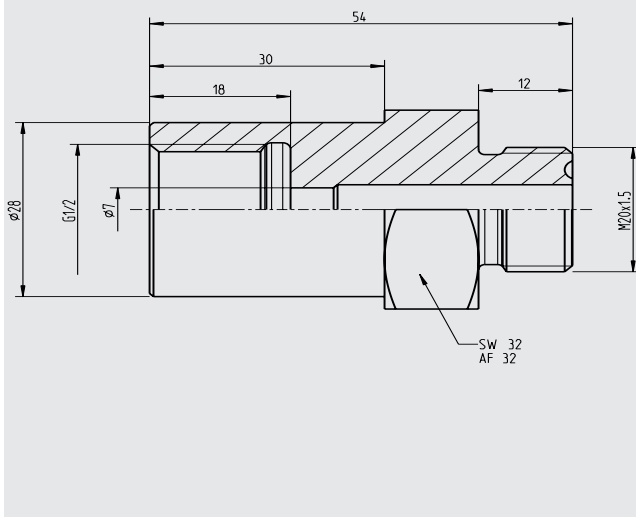
Adapter instrumentation, model GCA-08

DN 8 to G 1/2

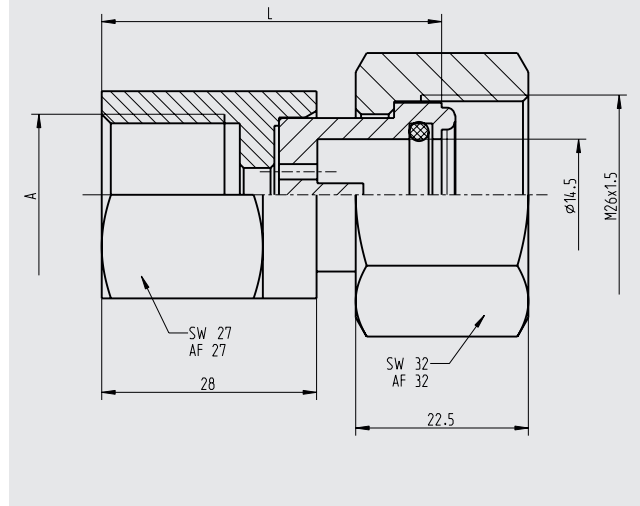
rotatable, DN 8 to G 1/4 or G 1/2



Dimensions in mm



Dimensions in mm



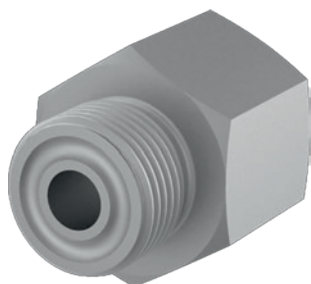
Material	Order no.
Brass	13428625

Thread A	Length L	Material	Order no.
G 1/4	39.3	Brass	14009789
G 1/2	44.3	Brass	13376668
G 1/2	44.3	Stainless steel	13371126

The O-ring is included.
Spare part: O-ring D14
Order no.: 11493624

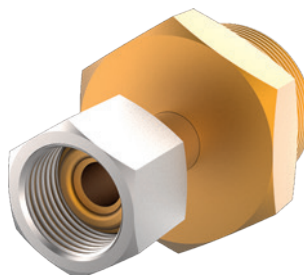
Adapter instrumentation, model GCA-08

DN 8 to G 3/8

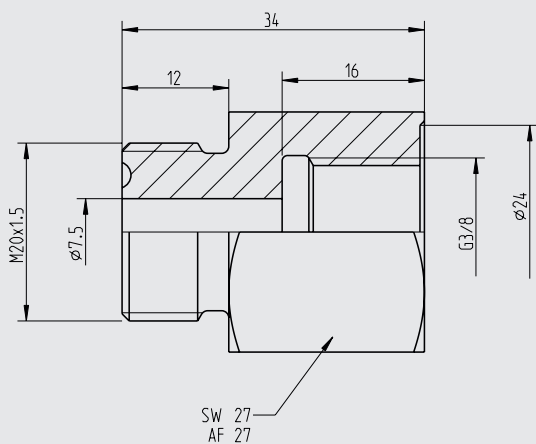


Adapter nominal width, model GCA-08

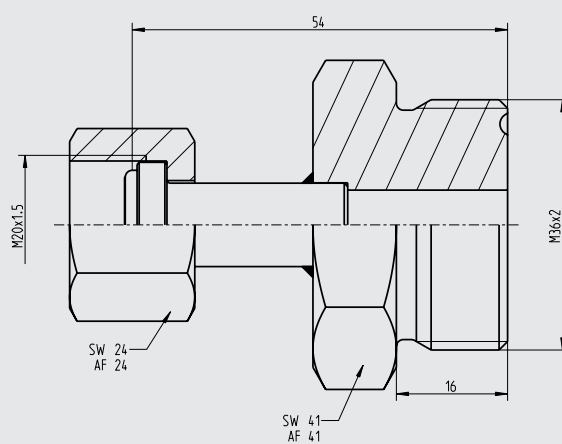
DN 8 to DN 20



Dimensions in mm



Dimensions in mm

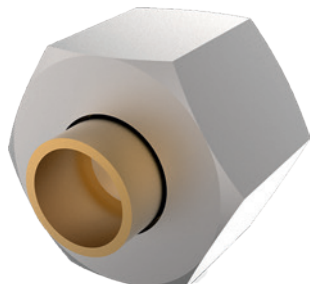


Material	Order no.
Aluminium	13428820

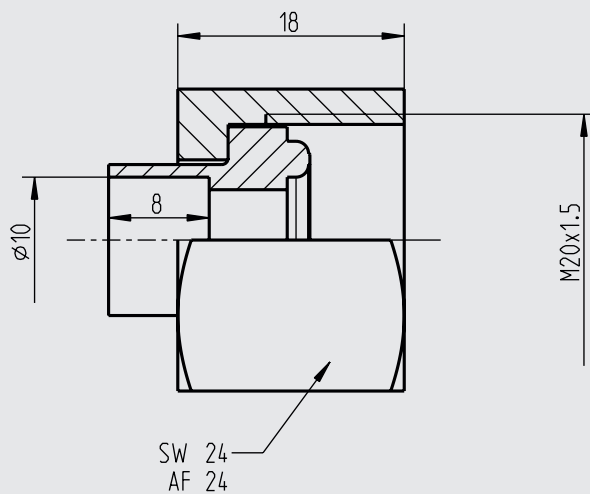
Material	Order no.
Brass	14098363
Stainless steel	14098362

Fitting, model GCF-08

Union nut with tongue part

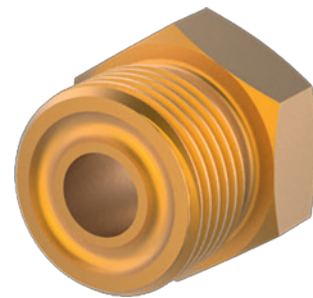


Dimensions in mm

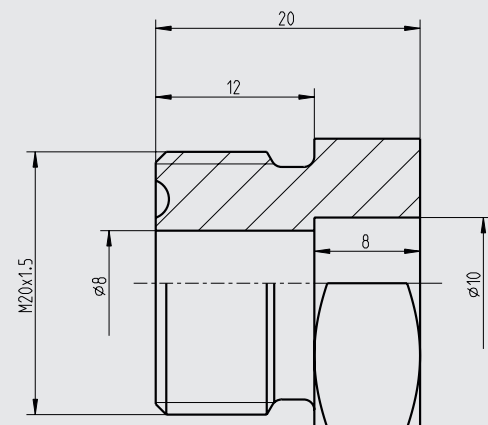


Description	Material	Order no.
Union nut	Stainless steel	13378571
Tongue part	Stainless steel	13428749
Tongue part	Brass	13428731

Groove part

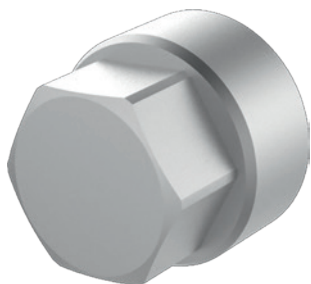


Dimensions in mm

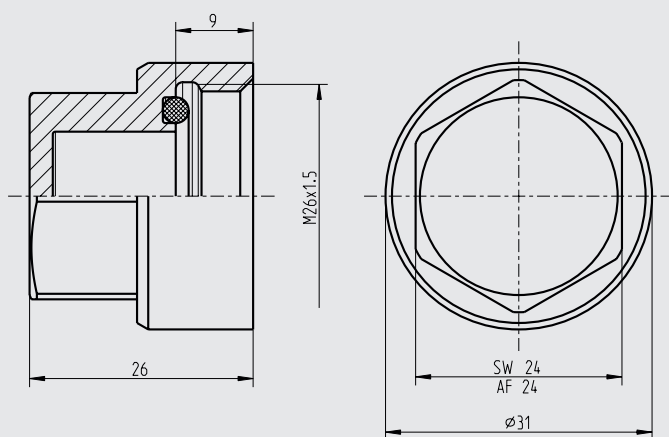


Material	Order no.
Brass	13428668
Stainless steel	14074445

Protection cap, model GCP-08



Dimensions in mm



Material	Order no.
Aluminium	13378661

The O-ring is included.
Spare part: O-ring D17
Order no.: 11522119

Ordering information

Specification of the model is sufficient for ordering.

© 2014 WIKA Alexander Wiegand SE & Co. KG, all rights reserved.
The specifications given in this document represent the state of engineering at the time of publishing.
We reserve the right to make modifications to the specifications and materials.



WIKAI
WIKAI Alexander Wiegand SE & Co. KG
Alexander-Wiegand-Straße 30
63911 Klingenberg/Germany
Tel. +49 9372 132-0
Fax +49 9372 132-406
info@wika.de
www.wika.de