



Cert. No. LRQ 0963008

ISO 9001

spirax sarco

TI-P180-02
ST Issue 5

BT6

Hygienic Sanitary Balanced Pressure Steam Trap

Description

The Spirax Sarco BT6 thermostatic balanced pressure steam trap is designed to remove condensate from hygienic and sanitary steam systems with minimal backing up. Applications include sterile steam barriers, block and bleed systems, drainage of steam distribution lines, process vessels and CIP/SIP systems. Manufactured in 316L stainless steel with a crevice free body, it is self-draining and operates close to steam temperature. Where very high capacities exist or where CIP fluids are used in the process the BT6HC is recommended - See TI-P180-13 for further details. Traps are individually packaged with protective end caps and sealed in a polythene bag.

Surface finish

All internal wetted surfaces have a finish of 0.8 µm (32 micro-inch Ra). Surface finish of 0.4 µm (16 micro-inch Ra) can be supplied on request by electro-polishing.

Options

Electro-polishing of internal surfaces to 0.4 µm (16 micro-inch Ra).
Fixed bleed to ensure fail open operation.
Special connections to suit most piping systems.

Standards

The BT6 fully complies with the ASME BPE, where applicable. It also complies with the requirements of the European Pressure Equipment Directive 97/23/EC.

The seal complies with FDA CFR title 21, paragraph 177, section 1550.

All wetted parts of this trap are constructed from FDA/3-A approved materials.

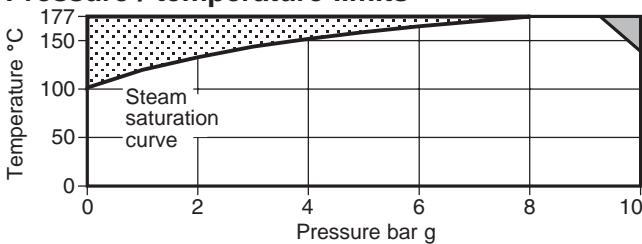
Certification

This product is available with certification to EN 10204 3.1.B.
Note: All certification/inspection requirements must be stated at the time of order placement.

Sizes and pipe connections

½", ¾", 1" sanitary clamp compatible connections.
Additional connections are available on request. Please contact Spirax Sarco.

Pressure / temperature limits

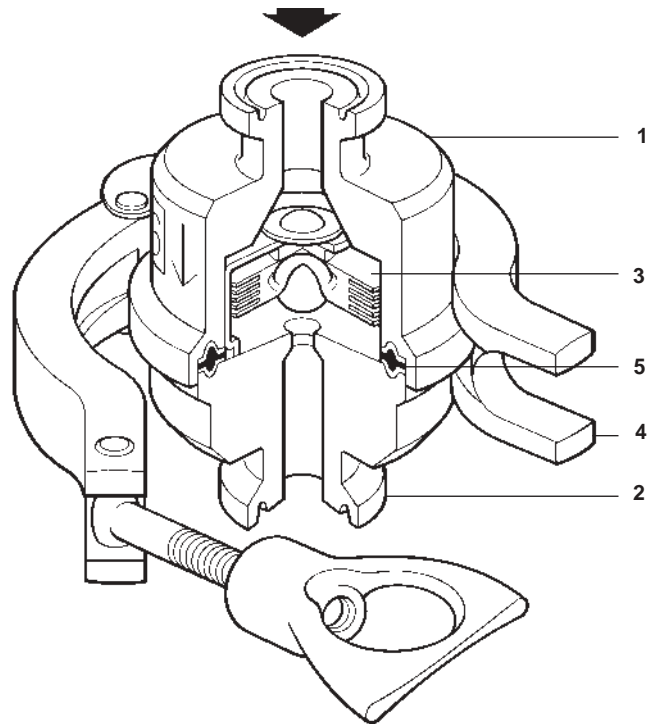


The product **must not** be used in this region.

The product should not be used in this region as damage to the internals may occur.

Note: For hygienic/sanitary clamp ends the maximum pressure / temperature may be restricted by the gasket or sanitary clamp used. Please consult Spirax Sarco.

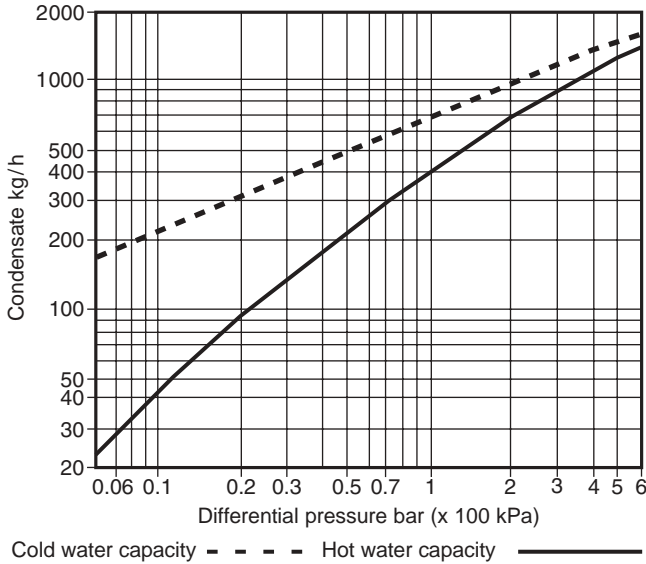
Body design conditions	PN10
PMA Maximum allowable pressure @ 140°C	10 bar g
TMA Maximum allowable temperature @ 9.2 bar g	177°C
Minimum allowable temperature	-254°C
PMO Maximum operating pressure for saturated steam service	6 bar g
TMO Maximum operating temperature	165°C @ 6 bar g
Minimum operating temperature	0°C
Designed for a maximum cold hydraulic test pressure of 15 bar g	



Materials

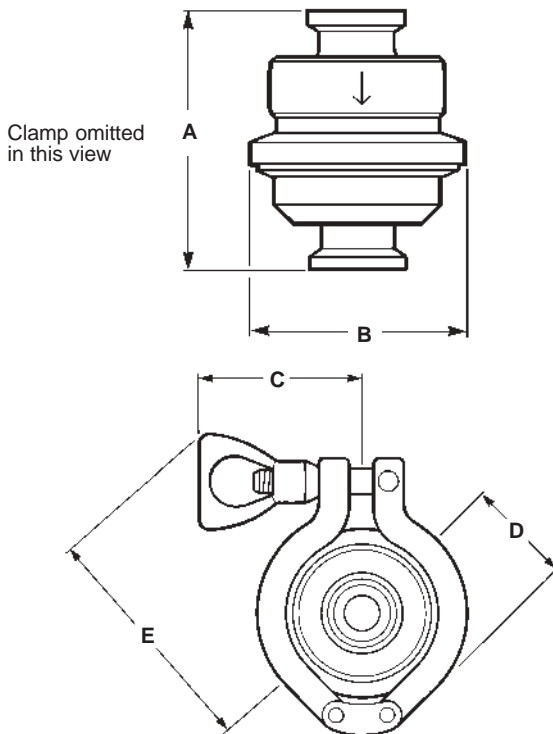
No.	Part	Material	Material Specification
1	Body	Stainless steel	ASTM A 276-87 Gr. 316L
2	Seat end connection	Stainless steel	ASTM A 276-87 Gr. 316L
3	Element	Stainless steel	AISI 316L
4	Clamp	Stainless steel	AISI 304L
5	Seal	PTFE jacketed viton	

Capacities



Dimensions/weights (approximate) in mm and kg

Size	A	B	C	D	E	Weight
1/2"	65	54	53	35	83	0.85
3/4"	65	54	53	35	83	0.85
1"	65	54	53	35	83	1.00



Spare parts

The spare parts are shown in heavy outline. Parts drawn in broken line are not supplied as spares.

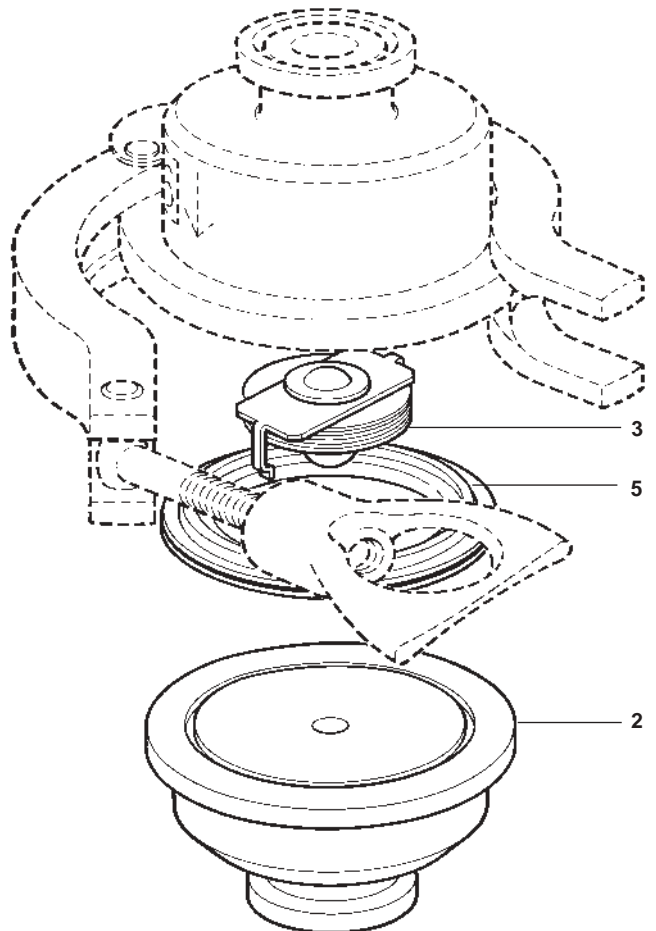
Available spares

Element assembly	3
Seal	5
Seat end connection	2

How to order spares

Always order spares by using the description given in the column headed 'Available spares' and state the size and type of trap.

Example: 1 - Element assembly for a Spirax Sarco 1/2" BT6 hygienic sanitary balanced pressure steam trap.



Safety information, installation and maintenance

For full details see the Installation and Maintenance Instructions (IM-P180-04) supplied with the product.

Installation note

The trap is designed to be fitted in vertical lines with the flow downwards so that it can be completely self-draining. Check flow arrow for correct orientation. Fittings clamps and gaskets for pipe end connections are not supplied.

Do not expose the element to superheat conditions.

Note: The body and element must be handled carefully to ensure that the machined surfaces are not damaged.

How to order

Example: 1 off Spirax Sarco 1/2" BT6 hygienic sanitary balanced pressure steam trap with self-draining body. Connection to be sanitary clamp. Suitable for pressures up to 6.0 bar g. Internal surface finish to be electro-polished to 0.4 µm. Material certification to be EN 10204 3.1.B for pressure containing parts.