

Differential pressure transmitter/switch with display Model A2G-45

WIKA data sheet PE 88.01



for further approvals
see page 4



Applications

- For monitoring the differential pressure of air and other non-inflammable and non-aggressive gases
- Differential pressure monitoring in filters and clean rooms

Special features

- Electrical output signal 0 ... 10 V (3-wire)
- Simple and quick mounting
- Maintenance-free
- Maximum operating pressure 20 kPa



Differential pressure transmitter/switch with display,
model A2G-45

Description

The model A2G-45 differential pressure transmitter/switch combines a local differential pressure display, measured value transmission and differential pressure switching in a single instrument and is therefore mainly used in the ventilation and air-conditioning industry.

A second switch relay and/or an automatic zero adjustment are optionally available. The compact and robust measuring instrument impresses with its intuitive operation. The setting of different switch points for rising and falling differential pressure make the A2G-45 very flexible and adaptable in use.

Through the use of the model A2G-45 differential pressure transmitter/switch the number of conventional measuring instruments otherwise used can be reduced considerably.

Specifications

Differential pressure transmitter/switch with display, model A2G-45		
Measuring range	Variant 1: -500 ... +500 Pa ¹⁾ -300 ... +300 Pa ²⁾ -250 ... +250 Pa ²⁾ -100 ... +100 Pa ²⁾	Variant 2: 0 ... 2,500 Pa ¹⁾ 0 ... 1,000 Pa ²⁾ 0 ... 250 Pa ²⁾ 0 ... 100 Pa ²⁾
	Four measuring ranges can be selected at the instrument via jumpers (For measuring ranges below 250 Pa the automatic zero adjustment (AZ) is recommended)	
Accuracy class	1.5 %	
Type of mounting	Wall mounting	
Measuring element	Piezo measuring cell	
Case	Plastic (ABS), plastic (PC)	
Process connection	For hoses with inner diameter 4 mm	
Output signal	0 ... 10 V, load resistance min. 1 k Ω , relay 250 V, DC 30 V, 6 A	
Power supply U_B	AC 24 V \pm 10 % or DC 21 ... 35 V	
Electrical connection	Cable gland M16 and M20 Screw terminals max. 1.5 mm ²	
Permissible temperatures		
■ Ambient temperature	-20 ... +70 °C, 95 % r. h. (non-condensing)	
■ Medium temperature	-10 ... +50 °C (-5 ... +50 °C for AZ models)	
Ingress protection	IP54	
Dimensions (H x W x D)	89.5 x 86.5 x 37.1 mm	
Weight	150 g	

1) Standard
2) Jumpers

Options

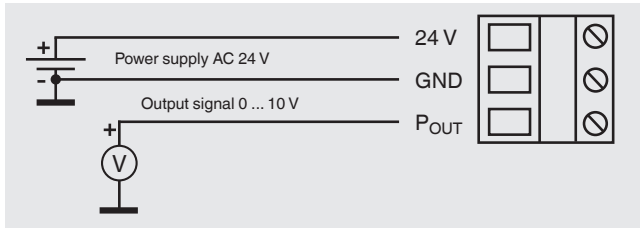
- Automatic zero adjustment (AZ)
- 2 relay outputs (2R)
- Automatic zero adjustment and 2 relay outputs (AZ-2R)

Automatic zero adjustment (option)

The automatic zero adjustment aligns the zero point from time to time so that a manual zero adjustment is not necessary.

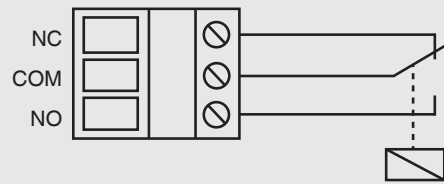
During the zero adjustment (3 seconds every 10 minutes), the output signal and the display show the last measured value.

Electrical connection

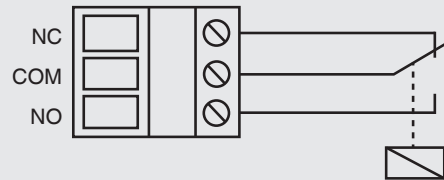


If the voltages being switched via the relays are not in accordance with SELV, then the power supply and signal/control cables of the relays should be installed so that they are separated. A separate cable entry is available for both.

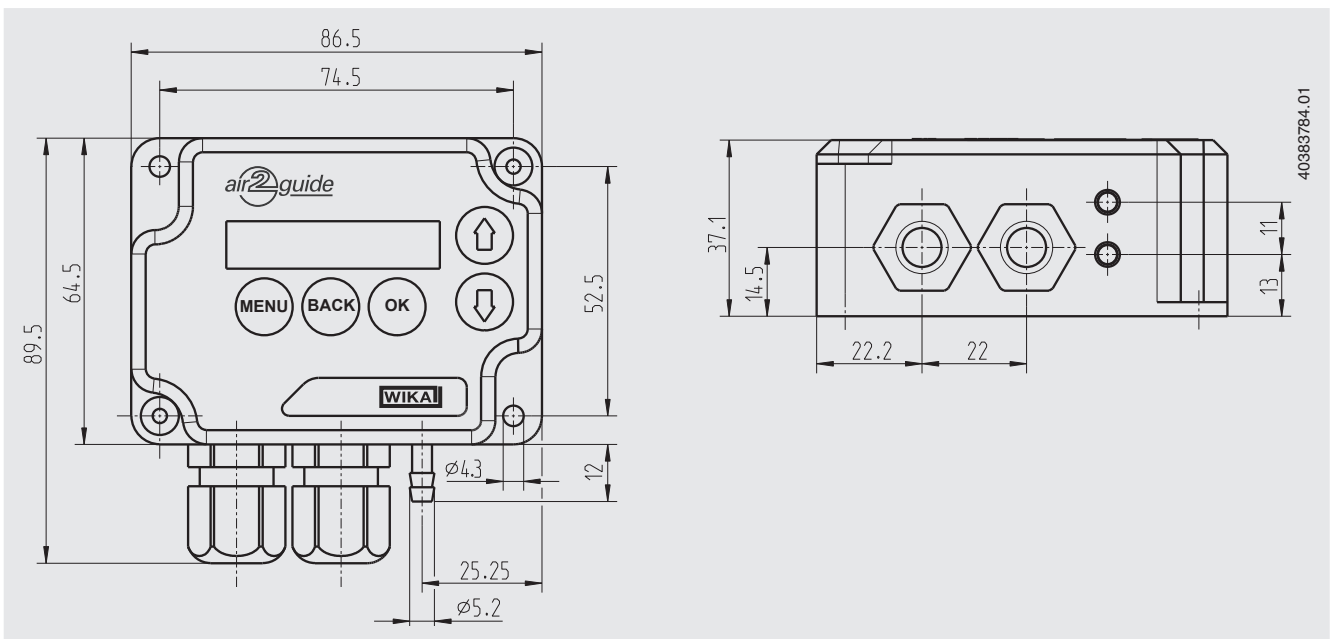
Relay 1 (standard)




Relay 2 (option)




Dimensions in mm



Accessories

Description	Order number
Measuring hoses	
 PVC hose, inner diameter 4 mm, roll at 25 m	40217841
PVC hose, inner diameter 6 mm, roll at 25 m	40217850
Silicone hose, inner diameter 4 mm, roll at 25 m	40208940
Silicone hose, inner diameter 6 mm, roll at 25 m	40208958
Duct connector for hose 4 and 6 mm	40217507

Approvals

Logo	Description	Country
	EU declaration of conformity <ul style="list-style-type: none">■ EMC directive■ RoHS conformity■ WEEE directive	European Union
	EAC (option) Import certificate	Eurasian Economic Community

For deliveries to CIS countries and Ukraine, a technical passport is required and generated for each specific order.

Certificates (option)

- 2.2 test report
- 3.1 inspection certificate

Approvals and certificates, see website

Scope of delivery

- Differential pressure gauge
- 2 duct connectors
- 2 m PVC hose

Ordering information

Model / Measuring range / Options / Accessories

© 04/2012 WIKA Alexander Wiegand SE & Co. KG, all rights reserved.
The specifications given in this document represent the state of engineering at the time of publishing.
We reserve the right to make modifications to the specifications and materials.

