

Capsule pressure gauge, copper alloy or stainless steel Edgewise panel design Models 614.11, 634.11

WIKA data sheet PM 06.05



for further approvals
see page 4

Applications

- For gaseous, dry and non-aggressive media that will not attack copper alloy parts
- Model 614.11: Measuring system copper alloy
Model 634.11: Measuring system stainless steel, also for aggressive media

Special features

- Low scale ranges from 0 ... 2.5 mbar
- Panel mounting
- Zero point setting in front



Capsule pressure gauge, edgewise panel design,
model 614.11

Description

The model 614.11 and 634.11 capsule pressure gauges are based upon the proven capsule measuring system. The capsule measuring principle is particularly suitable for low pressures. On pressurisation, the expansion of the capsule element, proportional to the incident pressure, is transmitted to the movement and indicated.

The modular design enables a multitude of combinations of case materials, process connections, nominal sizes and scale ranges. Due to this high variance, regarding design and back mount connection, the instrument is suitable for panel mounting in a wide range of applications.

Standard version

Design

DIN 43700

Nominal size in mm

72 x 72, 96 x 96, 144 x 144 and 144 x 72

Accuracy class

1.6

Pressure limitation

Steady: Full scale value

Fluctuating: 0.9 x full scale value

Permissible temperature

Ambient: -20 ... +60 °C

Medium: +100 °C maximum

Temperature effect

When the temperature of the measuring system deviates from the reference temperature (+20 °C): max. $\pm 0.6\%$ / 10 K of full scale value

Scale ranges

NS	Scale ranges in mbar	
	Model 614.11	Model 634.11
72 x 72	0 ... 25 to 0 ... 600	0 ... 40 to 0 ... 600
96 x 96	0 ... 10 to 0 ... 600	0 ... 40 to 0 ... 600
144 x 144	0 ... 6 to 0 ... 600	-
144 x 72	0 ... 4 to 0 ... 600	0 ... 2.5 to 0 ... 600

or all other equivalent vacuum or combined pressure and vacuum ranges

Process connection

Model 614.11: Copper alloy

Model 634.11: Stainless steel

Back mount

NS 72 x 72 and 96 x 96: G ¼ B (male), SW 14

NS 144 x 144: G ½ B (male), SW 22

NS 144 x 72: G ½ B (male), SW 17

Pressure element

Model 614.11: Copper alloy

Model 634.11: Stainless steel

Sealing

Model 614.11: NBR

Model 634.11: Viton®

Viton® fluoroelastomer is a registered trademark of DuPont Performance Elastomers.

Movement

Copper alloy, wear parts argentan, with zero adjustment

Dial

Aluminium, white, black lettering

Pointer

Aluminium, black

Case (DIN 43700)

NS 72 x 72, 96 x 96, 144 x 144: Steel, galvanised

NS 144 x 72: Steel, black

Window

NS 144 x 72: Instrument glass

NS 72 x 72, 96 x 96 and 144 x 144: Clear non-splintering plastic

Panel frame (DIN 43718)

Steel, black, narrow, snap-fit

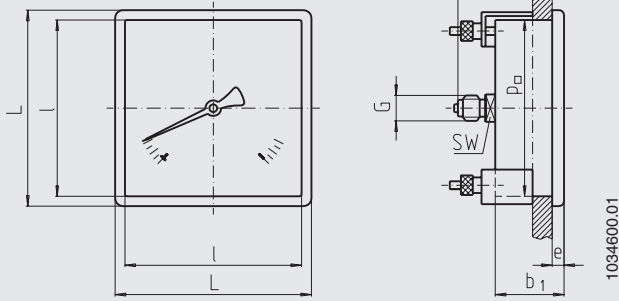
Options

- Other process connection
- Sealings (model 910.17, see data sheet AC 09.08)
- Overload or vacuum safety with
scale ranges < 40 mbar: 3 x full scale value
scale ranges \geq 40 mbar: 10 x full scale value
- Wide panel frame

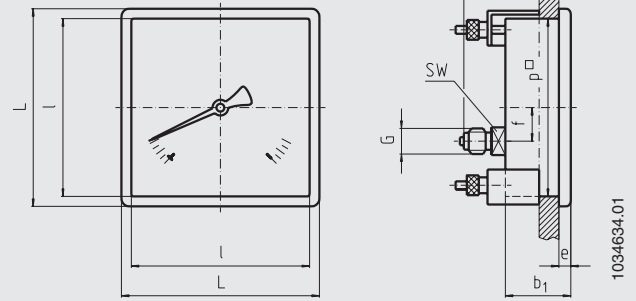
Dimensions in mm

Standard version

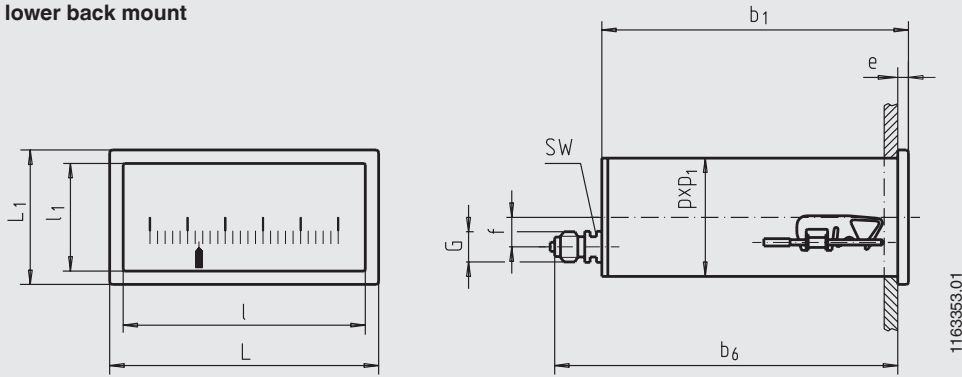
NS 72 x 72 and 96 x 96,
centre back mount



NS 144 x 144,
lower back mount








NS 144 x 72,
lower back mount



NS	Dimensions in mm												Weight in kg
	b ₁	b ₆	e	f	G	L	L ₁	l	l ₁	p x p ₁	p□	SW	
72 x 72	36.5	50	6	-	G ¼ B	72	-	62	-	-	66	14	0.30
96 x 96	39	50	6	-	G ¼ B	96	-	79	-	-	88.5	14	0.40
144 x 144	46.5	71.5	8	30	G ½ B	144	-	134	-	-	136	22	0.90
144 x 72	168	197	8	18	G ½ B	144	72	134	62	138 x 67	-	17	1.60

Process connection per EN 837-3 / 7.3

Approvals

Logo	Description	Country
	GOST (option) Metrology, measurement technology	Russia
	KazInMetr (option) Metrology, measurement technology	Kazakhstan
-	MTSCHS (option) Permission for commissioning	Kazakhstan
	BelGIM (option) Metrology, measurement technology	Belarus
	UkrSEPRO (option) Metrology, measurement technology	Ukraine
	Uzstandard (option) Metrology, measurement technology	Uzbekistan
-	CPA (option) Metrology, measurement technology	China

Certificates (option)

- 2.2 test report
- 3.1 inspection certificate

Approvals and certificates, see website

Ordering information

Model / Nominal size / Scale range / Connection size / Connection location / Options

© 05/2008 WIKA Alexander Wiegand SE & Co. KG, all rights reserved.
The specifications given in this document represent the state of engineering at the time of publishing.
We reserve the right to make modifications to the specifications and materials.

