

# Test gauge

## With transport case and acceptance test certificate

### Model 342.11, from class 0.1, NS 250

WIKA data sheet PM 03.03



for further approvals  
see page 2

#### Applications

- For gaseous and liquid media that are not highly viscous or crystallising
- Precision measurement in laboratories
- High-accuracy pressure measurement
- Testing of industrial type pressure gauges

#### Special features

- Knife edge pointer and dial with mirror band scale for optimal accuracy of reading
- Precise movement with wear parts of argentan
- Particularly easy-to-read scale due to nominal size 250
- Scale ranges up to 0 ... 1,600 bar



Test gauge series model 342.11

## Description

#### Design

EN 837-1, including transport case and acceptance test certificate (individual listing of the calibration points)

#### Nominal size in mm

250

#### Accuracy class

0.1: for scale ranges < 0 ... 400 bar

0.25: for scale ranges ≥ 0 ... 400 bar

#### Scale ranges

0 ... 1 to 0 ... 1,600 bar

or all other equivalent vacuum or combined pressure and vacuum ranges

#### Adjustment medium

≤ 25 bar: Gas

> 25 bar: Water

#### Pressure limitation

Steady: Full scale value

Fluctuating: 0.9 x full scale value

#### Permissible temperature

Ambient: -20 ... +60 °C

Medium: +100 °C maximum

#### Temperature effect

When the temperature of the measuring system deviates from the reference temperature (+20 °C): max. ±0.1 %/10 K of full scale value

#### Ingress protection

IP54 per IEC/EN 60529

## Standard version

### Process connection

Stainless steel  
Lower mount (radial)  
G ½ B (male), SW 22

### Pressure element

Ni-Fe alloy  
< 100 bar: C-type  
≥ 100 bar: Helical type

### Movement

Copper alloy, wear parts argentan

### Dial

Aluminium, white, black lettering, scale 330°, with mirror band scale, for zero point setting rotatable by ±15°

### Pointer

Knife edge pointer, aluminium, black

### Case

Flange ring type case, aluminium, black-silver

### Window

Clear non-splintering plastic, green tinted to prevent the dazzle effect



### Bezel ring

Flange ring, aluminium, black-silver

## Options

- Other process connection
- Adjustment medium water with scale ranges ≥ 4 bar
- Surface mounting flange
- Suitable for panel mounting (by means of clamp)
- After-sales service booklet for 3 recalibrations
- Capsule pressure gauge for low pressures from 0 ... 6 mbar (model 612.11, see data sheet PM 06.04)

## Approvals

Logo	Description	Country
	<b>EU declaration of conformity</b> Pressure equipment directive, PS > 200 bar; module A, pressure accessory	European Union
	<b>EAC (option)</b> Pressure equipment directive	Eurasian Economic Community
	<b>GOST (option)</b> Metrology, measurement technology	Russia
	<b>KazInMetr (option)</b> Metrology, measurement technology	Kazakhstan
-	<b>MTSCHS (option)</b> Permission for commissioning	Kazakhstan
	<b>BelGIM (option)</b> Metrology, measurement technology	Belarus
	<b>UkrSEPRO</b> Metrology, measurement technology	Ukraine
	<b>Uzstandard (option)</b> Metrology, measurement technology	Uzbekistan
-	<b>CPA (option)</b> Metrology, measurement technology	China
-	<b>CRN</b> Safety (e.g. electr. safety, overpressure, ...)	Canada

## Certificates (option)

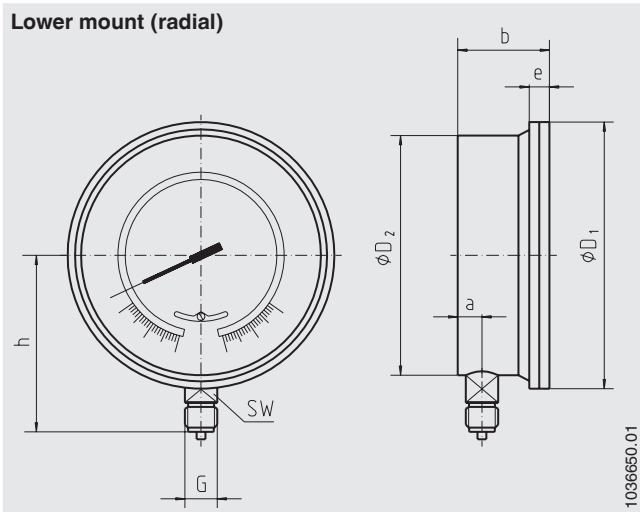
- 2.2 test report per EN 10204 (e.g. state-of-the-art manufacturing, material proof, indication accuracy)
- 3.1 inspection certificate per EN 10204 (e.g. indication accuracy)
- DKD/DAkkS certified accuracy

Approvals and certificates, see website

## Dimensions in mm

### Standard version

Lower mount (radial)



NS	Dimensions in mm								Weight in kg
	a	b	D <sub>1</sub>	D <sub>2</sub>	e	G	h ±1	SW	
250	22	78	277	250	16.5	G ½ B	165	22	6.0

Process connection per EN 837-1 / 7.3

## Ordering information

Model / Nominal size / Scale range / Process connection / Connection location / Adjustment medium / Options

© 03/2008 WIKA Alexander Wiegand SE & Co. KG, all rights reserved.  
The specifications given in this document represent the state of engineering at the time of publishing.  
We reserve the right to make modifications to the specifications and materials.

